



MED MODEL HVVS



**Mueller
Environmental
Designs, Inc.**



**Air Filtration
Evaporative Cooling
Noise Control
Mist Elimination
Turnkey Projects**



APPLICATION

The Mueller Environmental Designs High Volume Vent Silencer is designed to reduce the noise associated with venting high pressure steam or gas to atmosphere.

Specific Applications include:

- ◆ Steam or Gas Process Vents
- ◆ Natural Gas Blowdowns
- ◆ Boiler Start-up and Purge Systems
- ◆ Safety Relief Valves

DESIGN

The Mueller Environmental Designs High Volume Vent Silencer incorporates a double diffuser arrangement with non-line of sight acoustical baffle panels, providing the highest degree possible broad band noise control. The rectangular configuration allows for bolted modular fabrication, resulting in removable and replaceable parts, ensuring longer operating life.

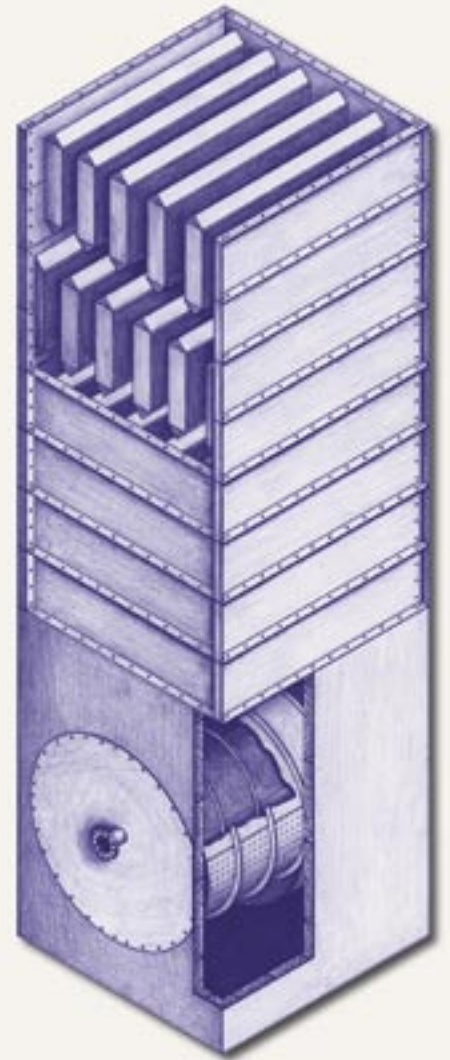
SELECTION

The sizing procedure for this noise control application requires the following information:

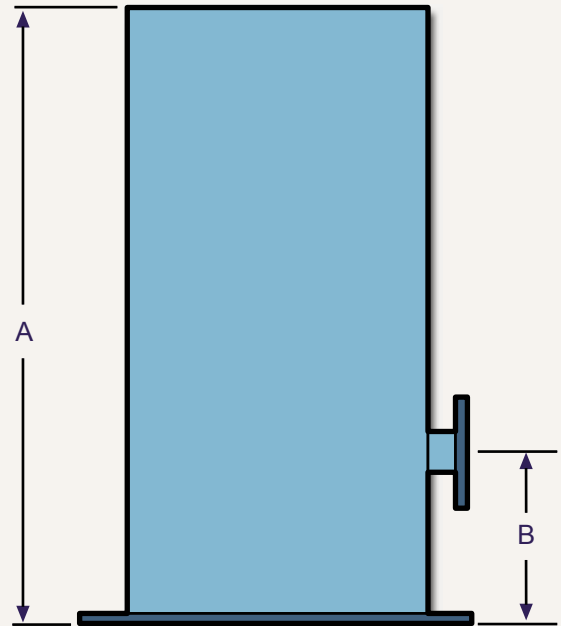
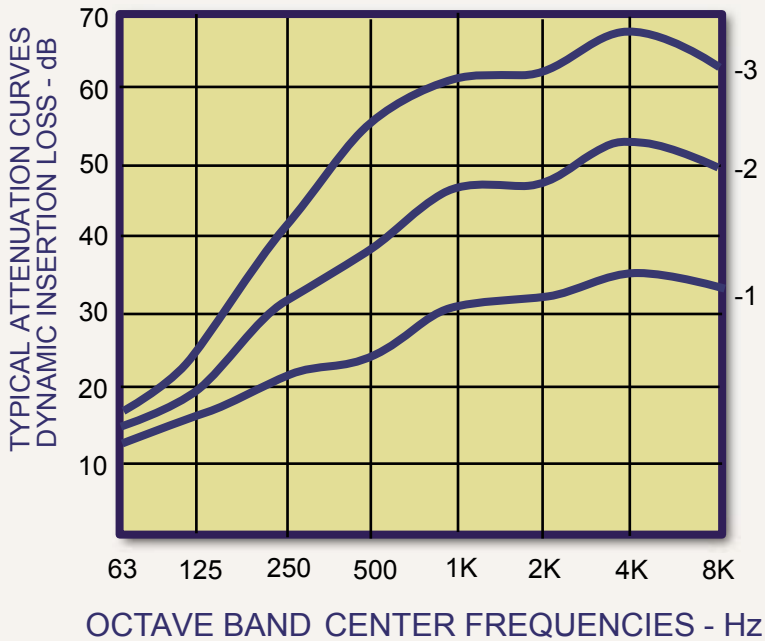
- ◆ Application - Vent or Natural Gas Blowdown
- ◆ Service - Intermittent or Continuous
- ◆ Type of Medium - Steam or Gas
- ◆ Flow - Lbs/Hr, Upstream
Pressure and Temperature
- ◆ Blowdown Time and Volume
- ◆ Valve Type and Size
- ◆ Silenced Noise Criteria

WARRANTY

Mueller Environmental Designs guarantees to meet noise control criteria, warranties against poor workmanship, material defects, failure due to improper equipment selection



(4) Model 96 X 96 HVVS-5 60 dBA at 50'



HVS	*ACFM CAPACITY		-1			-2			-3		
	CON-TINUOUS	INTER-MITTENT	A	B	WEIGHT	A	B	WEIGHT	A	B	WEIGHT
24"	30,000	40,000	58"	16"	630	87"	16"	850	116"	16"	1,134
30"	46,875	62,500	75"	19"	885	111"	19"	1,178	147"	19"	1,562
36"	67,500	90,000	63"	22"	1,254	85"	22"	1,523	107"	22"	1,917
42"	91,875	122,500	84"	26"	1,649	120"	26"	2,120	156"	26"	2,756
48"	120,000	160,000	77"	29"	2,088	99"	29"	2,416	121"	29"	2,953
54"	151,875	202,500	89"	32"	2,585	118"	32"	3,085	147"	32"	3,843
60"	187,500	250,000	101"	35"	2,686	137"	35"	3,280	173"	35"	4,141
66"	226,875	302,500	108"	38"	3,521	144"	38"	4,225	180"	38"	5,282
72"	270,000	360,000	120"	42"	4,838	163"	42"	5,915	206"	42"	7,475
78"	316,875	422,500	120"	45"	5,806	156"	45"	6,793	192"	45"	7,925
84"	367,500	490,000	126"	48"	6,532	162"	48"	7,558	198"	48"	9,238
90"	421,875	562,500	132"	51"	6,882	168"	51"	7,883	204"	51"	9,573
69"	480,000	640,000	131"	54"	7,232	160"	54"	7,950	189"	54"	9,391
102"	541,875	722,500	139"	58"	8,282	168"	58"	9,009	197"	58"	10,564
108"	607,500	810,000	158"	61"	11,275	201"	61"	12,909	244"	61"	15,671
114"	676,875	902,500	156"	63"	12,462	192"	63"	13,804	228"	63"	16,392
120"	750,000	1,000,000	165"	67"	13,649	201"	67"	14,964	237"	67"	17,644
126"	826,875	1,102,500	171"	71"	15,674	207"	71"	17,076	243"	71"	20,046
132"	907,500	1,210,000	176"	74"	17,698	212"	74"	19,186	248"	74"	22,444
138"	991,875	1,322,000	186"	75"	18,375	228"	75"	20,271	270"	75"	24,006
144"	1,080,000	1,440,000	196"	80"	19,977	238"	80"	21,832	280"	80"	25,685

*BASED ON 14.7 PSIA AND DISCHARGE TEMPERATURE

APPLICATION INFORMATION

Vent
 Safety Relief
 Blowdown
 Volume _____ Cu. Ft.
 Blowdown Time _____ Sec.
 Valve Opening Time _____ Sec.
 Other _____

FLOW INFORMATION

Gas/Fluid _____
 Mol. Wt./S.G. _____
 Lbs./Hr _____
 Upstream Temp _____ °F
 Upstream Press _____ PSIG
 Atmo Press _____ PSIG
 ACFM _____ @ _____ °F
 SCFM _____

SERVICE CONDITIONS

Continuous
 Intermittent
 Other _____

PRESSURE DROP LIMITATION

None
 Yes _____
 Valve Size _____
 Valve Type _____
 Line Size _____

ACOUSTIC REQUIREMENTS

	dBA	63	125	250	500	1k	2k	4k	8k	Hz
REQUIRED SILENCED SPL @ _____ FT										dB
REQUIRED DIL										dB
UNLICENSED SPL @ _____ FT (IF KNOWN)										dB

SUPPORTS

Legs
 Skirt and Base Ring
 Other _____

INLET FLANGE CONNECTION

Size _____"
 Rating _____ No.
 Facing
 RFSO
 RFWN
 Flat (plate Flange)
 BFW

WEATHER PROTECTION

None (open to atmosphere)
 Elbow
 Weather Hood
 Other _____

Mueller Environmental Designs, Inc.

7607 Wright Road
 Houston, Texas 77041
 713-465-0995
 Fax 713-465-0997
 E-Mail: sales@muellerenvironmental.com
 www.muellerenvironmental.com